

CN

Antivibrante Conico

Bumper

| Cod. | A | B | M | E | Carico max a Compres. Max Compression Load daN |
|-------------|-----|----|------|----|---|
| A2CN24 | 25 | 22 | 06MA | 20 | 20 |
| A2CN25 | 25 | 22 | 10MA | 20 | 20 |
| A2CN2525 | 25 | 25 | 06MA | 18 | 18 |
| A2CNT2525 * | 25 | 25 | 06MA | 18 | 18 |
| A2CN26 | 25 | 30 | 06MA | 18 | 18 |
| A2CN31 | 30 | 36 | 08MA | 23 | 25 |
| A2CN39 | 40 | 30 | 08MA | 23 | 29 |
| A2CN41 | 40 | 60 | 08MA | 23 | 28 |
| A2CN51 | 50 | 50 | 10MA | 28 | 54 |
| A2CN52 | 50 | 64 | 08MA | 35 | 50 |
| A2CN61 | 60 | 60 | 12MA | 33 | 72 |
| A2CN75 | 75 | 70 | 12MA | 37 | 117 |
| A2CN100 | 100 | 85 | 16MA | 42 | 330 |

Caratteristiche

Materiale corpo: Mescola gomma NR/SBR

Durezza standard: 60 shore A

Tolleranza sulla durezza: +/- 5 SH

A richiesta: Differenti lunghezze della vite

Parte metallica e/o fissaggio:

Vite e rondella zincate

Tipo inserto standard: Vite pressata sulla rondella

Product specification

Main part material:

NR/SBR rubber compound

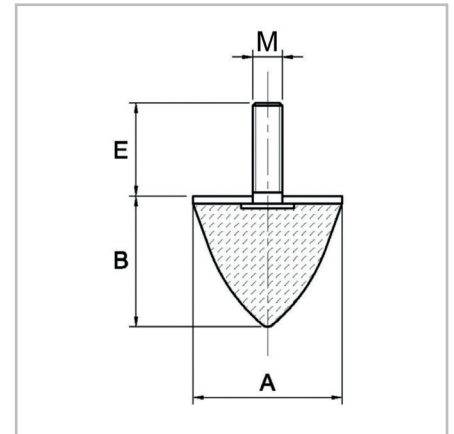
Standard hardness: 60 shore A

Hardness tolerance: +/- 5 SH

On request: Different screw lengths

Metallic part: Zinc plated screw and washer

Standard thread: Screw pressed on the washer



*In NR 45 shore A