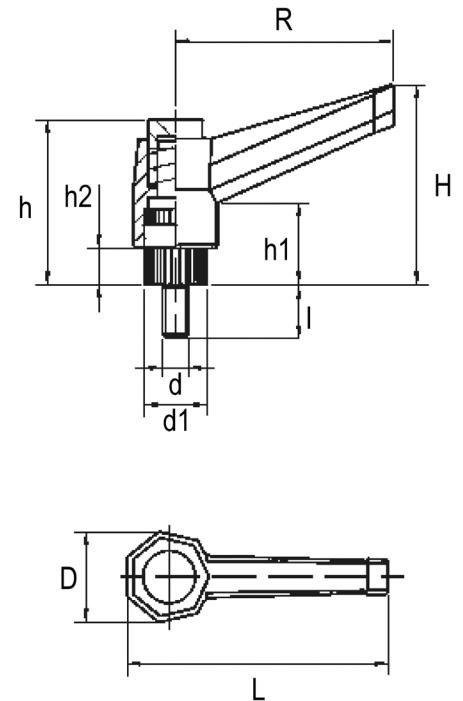


MRM

Maniglia a Ripresa Pulsante con Perno in Ferro Filettato

Ratchet Handle, Button Type, Threaded Stud

Cod.	R	L	d	l	d1	D	H	h	h1	h2	Peso Weight gr	U.V.
B1MRM400510	40	50	05MA	10	12	17	42	33	15	7	14	20
B1MRM400520	40	50	05MA	20	12	17	42	33	15	7	16	20
B1MRM400530	40	50	05MA	30	12	17	42	33	15	7	18	20
B1MRM400615	40	50	06MA	15	12	17	42	33	15	7	16	20
B1MRM400620	40	50	06MA	20	12	17	42	33	15	7	17	20
B1MRM400625	40	50	06MA	25	12	17	42	33	15	7	18	20
B1MRM400630	40	50	06MA	30	12	17	42	33	15	7	18	20
B1MRM400815	40	50	08MA	15	12	17	42	33	15	7	19	20
B1MRM400830	40	50	08MA	30	12	17	42	33	15	7	22	20
B1MRM600615	60	70	06MA	15	15	22	42	37	14	8	22	20
B1MRM600620	60	70	06MA	20	15	22	42	37	14	8	22	20
B1MRM600625	60	70	06MA	25	15	22	42	37	14	8	22	20
B1MRM600630	60	70	06MA	30	15	22	42	37	14	8	24	20
B1MRM600640	60	70	06MA	40	15	22	42	37	14	8	26	20
B1MRM600650	60	70	06MA	50	15	22	42	37	14	8	28	20
B1MRM600815	60	70	08MA	15	15	22	42	37	14	8	26	20
B1MRM600820	60	70	08MA	20	15	22	42	37	14	8	26	20
B1MRM600830	60	70	08MA	30	15	22	42	37	14	8	28	20
B1MRM600840	60	70	08MA	40	15	22	42	37	14	8	32	20
B1MRM600850	60	70	08MA	50	15	22	42	37	14	8	36	20
B1MRM600860	60	70	08MA	60	15	22	42	37	14	8	40	20
B1MRM601020	60	70	10MA	20	15	22	42	37	14	8	34	20
B1MRM601030	60	70	10MA	30	15	22	42	37	14	8	40	20
B1MRM601040	60	70	10MA	40	15	22	42	37	14	8	50	20
B1MRM601050	60	70	10MA	50	15	22	42	37	14	8	60	20
B1MRM801020	80	95	10MA	20	19	27	59	49	20	9	52	20
B1MRM801030	80	95	10MA	30	19	27	59	49	20	9	56	20
B1MRM801040	80	95	10MA	40	19	27	59	49	20	9	62	20
B1MRM801050	80	95	10MA	50	19	27	59	49	20	9	68	20
B1MRM801060	80	95	10MA	60	19	27	59	49	20	9	72	20
B1MRM801220	80	95	12MA	20	19	27	59	49	20	9	62	20
B1MRM801230	80	95	12MA	30	19	27	59	49	20	9	68	20
B1MRM801240	80	95	12MA	40	19	27	59	49	20	9	76	20
B1MRM801250	80	95	12MA	50	19	27	59	49	20	9	82	20
B1MRM1001230	100	117	12MA	30	25	38	85	60	20	12	104	20
B1MRM1001240	100	117	12MA	40	25	38	85	60	20	12	113	20
B1MRM1001250	100	117	12MA	50	25	38	85	60	20	12	119	20
B1MRM1001430	100	117	14MA	30	25	38	85	60	20	12	123	20
B1MRM1001440	100	117	14MA	40	25	38	85	60	20	12	133	20
B1MRM1001450	100	117	14MA	50	25	38	85	60	20	12	142	20
B1MRM1001630	100	117	16MA	30	25	38	85	60	20	12	138	20
B1MRM1001640	100	117	16MA	40	25	38	85	60	20	12	152	20
B1MRM1001650	100	117	16MA	50	25	38	85	60	20	12	165	20



Caratteristiche

Materiale Corpo:

Tecnopolimero rinforzato con fibre di vetro, di colore nero, resistente a solventi, oli, grassi (PA)

Parte Metallica e/o Fissaggio:

Perno in AVP zincato filettato, estremità smussata; molla di richiamo in acciaio inox

Materiale Altri Componenti Plastici:

Pulsante di ripresa in tecnopolimero, colore standard nero

Product specification

Main Part Material:

Black fiberglass-reinforced technopolymer, resistant to solvents, oils, greases (PA)

Metal and/or Fastening part:

Zinc plated threaded steel stud; stainless steel return-spring

Other Plastic Components:

Push-button in technopolymer, black colour