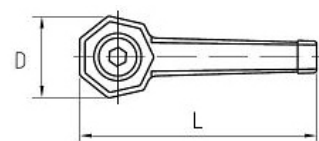
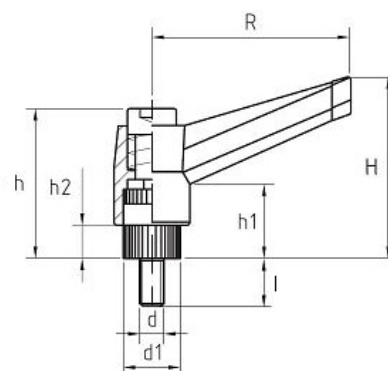


# MRVM

## Maniglia a Ripresa Vite con Perno Filettato

### Ratchet Handle, Screw Type, Threaded Stud

Cod.	R	L	d	l	d1	D	H	h	h1	h2	Peso Weight gr	U.V.
B1MRVM400510	40	50	05MA	10	12	17	42	33	15	7	18	20
B1MRVM400520	40	50	05MA	20	12	17	42	33	15	7	20	20
B1MRVM400530	40	50	05MA	30	12	17	42	33	15	7	22	20
B1MRVM400615	40	50	06MA	15	12	17	42	33	15	7	19	20
B1MRVM400620	40	50	06MA	20	12	17	42	33	15	7	20	20
B1MRVM400625	40	50	06MA	25	12	17	42	33	15	7	21	20
B1MRVM400630	40	50	06MA	30	12	17	42	33	15	7	22	20
B1MRVM600615	60	70	06MA	15	15	22	42	37	14	8	40	20
B1MRVM600620	60	70	06MA	20	15	22	42	37	14	8	41	20
B1MRVM600625	60	70	06MA	25	15	22	42	37	14	8	41	20
B1MRVM600630	60	70	06MA	30	15	22	42	37	14	8	42	20
B1MRVM600640	60	70	06MA	40	15	22	42	37	14	8	44	20
B1MRVM600650	60	70	06MA	50	15	22	42	37	14	8	46	20
B1MRVM600815	60	70	08MA	15	15	22	42	37	14	8	38	20
B1MRVM600820	60	70	08MA	20	15	22	42	37	14	8	42	20
B1MRVM600830	60	70	08MA	30	15	22	42	37	14	8	44	20
B1MRVM600840	60	70	08MA	40	15	22	42	37	14	8	46	20
B1MRVM600850	60	70	08MA	50	15	22	42	37	14	8	48	20
B1MRVM600860	60	70	08MA	60	15	22	42	37	14	8	50	20
B1MRVM601040	60	70	10MA	40	15	22	42	37	14	8	60	20
B1MRVM801020	80	95	10MA	20	19	27	59	49	20	9	70	20
B1MRVM801030	80	95	10MA	30	19	27	59	49	20	9	74	20
B1MRVM801040	80	95	10MA	40	19	27	59	49	20	9	80	20
B1MRVM801050	80	95	10MA	50	19	27	59	49	20	9	85	20
B1MRVM801230	80	95	12MA	30	19	27	59	49	20	9	102	20
B1MRVM801240	80	95	12MA	40	19	27	59	49	20	9	107	20
B1MRVM801250	80	95	12MA	50	19	27	59	49	20	9	115	20
B1MRVM1001230	100	117	12MA	30	25	38	85	60	20	12	156	20
B1MRVM1001240	100	117	12MA	40	25	38	85	60	20	12	168	20
B1MRVM1001250	100	117	12MA	50	25	38	85	60	20	12	180	20
B1MRVM1001430	100	117	14MA	30	25	38	85	60	20	12	158	20
B1MRVM1001440	100	117	14MA	40	25	38	85	60	20	12	170	20
B1MRVM1001450	100	117	14MA	50	25	38	85	60	20	12	182	20
B1MRVM1001630	100	117	16MA	30	25	38	85	60	20	12	170	20
B1MRVM1001640	100	117	16MA	40	25	38	85	60	20	12	186	20
B1MRVM1001650	100	117	16MA	50	25	38	85	60	20	12	202	20



#### Caratteristiche

##### Materiale Corpo:

Tecnopolimero rinforzato con fibre di vetro, di colore nero, resistente a solventi, oli, grassi (PA)

##### Parte Metallica e/o Fissaggio:

Perno in AVP zincato filettato, estremità smussata

##### Materiale Altri Componenti Metallici:

Molla di richiamo in acciaio inox, vite di ritegno in AVP zincato

#### Product specification

##### Main Part Material:

Black fiberglass-reinforced technopolymer, resistant to solvents, oils, greases (PA)

##### Metal and/or Fastening part:

Zinc plated threaded steel stud and adjusting screw

##### Specific Features:

Stainless steel return-spring