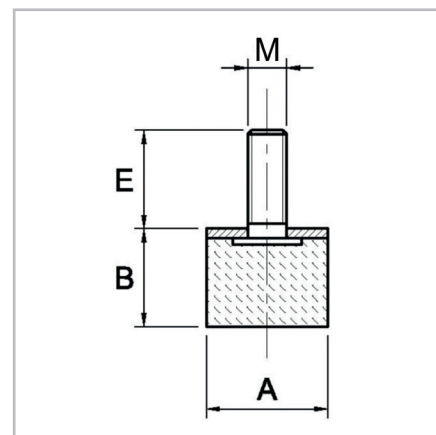


PM

## Piedino Antivibrante Maschio in Acciaio Zincato

### Zinc Plated Male Foot

Cod.	A	B	M	E	Carico max a Compres. Max Compression Load daN
A1PM1510	15	10	04MA	10	10
A1PM1515	15	15	04MA	14	10
A1PM1610	16	10	05MA	12	12
A1PM2008	20	8,5	06MA	10	18
A1PM2010	20	10	06MA	16	16
A1PM2015	20	15	06MA	16	18
A1PM2020	20	20	06MA	16	18
A1PM2025	20	25	06MA	16	18
A1PM2030	20	30	06MA	16	16
A1PM2515	25	15	06MA	18	29
A1PM2520/6	25	20	06MA	18	29
A1PM2525	25	25	06MA	18	29
A1PM2530/6	25	30	06MA	18	29
A1PM2520/8	25	20	08MA	20	29
A1PM2530/8	25	30	08MA	20	29
A1PM2530/8L	25	30	08MA	30	29
A1PM3010/6	30	10	06MA	18	42
A1PM3010	30	10	08MA	23	42
A1PM3010-40	30	10	08MA	40	42
A1PM3015	30	15	08MA	23	42
A1PM3020	30	20	08MA	23	42
A1PM3025	30	25	08MA	23	42
A1PM3030	30	30	08MA	23	38
A1PM3040	30	40	08MA	23	38
A1PM4020	40	20	08MA	23	57
A1PM4030/8	40	30	08MA	23	75
A1PM4035/8	40	35	08MA	23	75
A1PM4040/8	40	40	08MA	23	75
A1PM4030/10	40	30	10MA	28	75
A1PM4040/10	40	40	10MA	28	75
A1PM5020	50	20	10MA	28	117
A1PM5030	50	30	10MA	28	117
A1PM5040	50	40	10MA	28	117
A1PM5045	50	45	10MA	28	117
A1PM5050	50	50	10MA	28	117
A1PM6020/10 *	60	20	10MA	28	169
A1PM6050/10	60	50	10MA	37	169
A1PM6020/12	60	20	12MA	37	169
A1PM6030/12	60	30	12MA	37	169
A1PM6040/12	60	40	12MA	37	169
A1PM6050/12	60	50	12MA	37	169
A1PM7525	75	25	12MA	37	265
A1PM7540	75	40	12MA	37	265
A1PM7550	75	50	12MA	37	265
A1PM10040	100	40	16MA	42	471
A1PM10050	100	50	16MA	42	471
A1PM10080	100	80	16MA	42	380



#### Caratteristiche

**Materiale corpo:** Mescola gomma NR/SBR

**Durezza standard:** 60 shore A

**Tolleranza sulla durezza:** +/- 5 SH

**A richiesta:** Differenti lunghezze della vite

**Parte metallica e/o fissaggio:**

Vite e rondella zincate

**Tipo inserto standard:**

Vite pressata sulla rondella

#### Product specification

**Main part material:**

NR/SBR rubber compound

**Standard hardness:** 60 shore A

**Hardness tolerance:** +/- 5 SH

**On request:** Different screw lengths

**Metallic part:** Zinc plated screw and washer

**Standard thread:**

Screw pressed on the washer

\* In NR 55 Shore A

Misure e durezze differenti producibili su richiesta, rivolgersi all'ufficio commerciale. La quota "E" può essere soggetta a variazioni senza preavviso.

Other sizes or hardnesses can be produced on demand. For information please contact our sales department. Dimension "E" can vary without notice.

Antivibranti Cilindrici • Cylindrical Mountings