

XS55

Piede Snodato con Base e Stelo in Acciaio Inox AISI 304

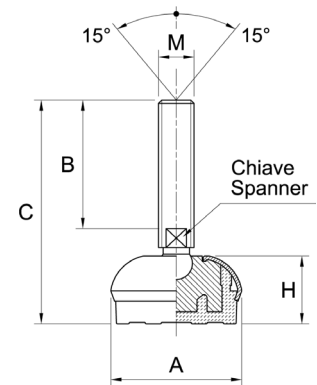
Articulated Foot with AISI 304 Stainless Steel Base and Stud

INOX
Stainless Steel

| Cod. | A | M | B | C | H | Chiave Spanner | Carico Max Max Load daN | U.V. |
|--------------|----|------|-----|-----|----|----------------|-------------------------|------|
| A5XS55/08045 | 55 | 8MA | 45 | 80 | 26 | 6 | 1100 | 8 |
| A5XS55/08065 | 55 | 8MA | 65 | 100 | 26 | 6 | 1100 | 8 |
| A5XS55/08107 | 55 | 8MA | 107 | 142 | 26 | 6 | 1100 | 8 |
| A5XS55/10035 | 55 | 10MA | 35 | 71 | 26 | 8 | 1200 | 8 |
| A5XS55/10070 | 55 | 10MA | 70 | 107 | 26 | 8 | 1200 | 8 |
| A5XS55/10115 | 55 | 10MA | 115 | 152 | 26 | 8 | 1200 | 8 |
| A5XS55/12043 | 55 | 12MA | 43 | 82 | 26 | 10 | 1300 | 8 |
| A5XS55/12063 | 55 | 12MA | 63 | 102 | 26 | 10 | 1300 | 8 |
| A5XS55/12077 | 55 | 12MA | 77 | 116 | 26 | 10 | 1300 | 8 |
| A5XS55/12093 | 55 | 12MA | 93 | 132 | 26 | 10 | 1300 | 8 |
| A5XS55/12123 | 55 | 12MA | 123 | 162 | 26 | 10 | 1300 | 8 |
| A5XS55/14061 | 55 | 14MA | 61 | 102 | 26 | 12 | 1400 | 8 |
| A5XS55/14091 | 55 | 14MA | 91 | 132 | 26 | 12 | 1400 | 8 |
| A5XS55/14116 | 55 | 14MA | 116 | 157 | 26 | 12 | 1400 | 8 |
| A5XS55/16060 | 55 | 16MA | 60 | 103 | 26 | 13 | 1500 | 8 |
| A5XS55/16090 | 55 | 16MA | 90 | 133 | 26 | 13 | 1500 | 8 |
| A5XS55/16105 | 55 | 16MA | 105 | 148 | 26 | 13 | 1500 | 8 |
| A5XS55/16125 | 55 | 16MA | 125 | 168 | 26 | 13 | 1500 | 8 |
| A5XS55/16155 | 55 | 16MA | 155 | 198 | 26 | 13 | 1500 | 8 |
| A5XS55/16165 | 55 | 16MA | 165 | 208 | 26 | 13 | 1500 | 8 |
| A5XS55/16205 | 55 | 16MA | 205 | 248 | 26 | 13 | 1500 | 8 |



Ø55



Caratteristiche

Materiale Base:

Anima interna in poliammide + FV;
rivestimento esterno in acciaio inox AISI 304; antivibrante in gomma termoplastica SEBS 55 shore colore nero.

Materiale Stelo: Acciaio inox AISI 304

Tipo Stelo: Snodato

Presentazione Prodotto:

Stelo fornito assemblato alla base

Note:

L'antivibrante costampato consente una perfetta aderenza con la base in acciaio. La conseguente assenza di cavità interne rende il piede estremamente sanificabile.

Product specification

Base Material:

Internal part made of reinforced polyamide;
external covering made of stainless steel AISI 304; anti-slip pad made of SEBS Rubber 55 shore black colour.

Spindle Material: Stainless steel AISI 304

Spindle Type: Articulated

Product Presentation:

Spindle supplied assembled to the base

Note:

The comoulded anti-slip rubber pad adheres perfectly to the steel base thus the absence of internal cavities makes the foot extremely easy to clean and sanitize.