

Rubber Metal anti vibration mounts

DSD ANTI VIBRATION MOUNTS



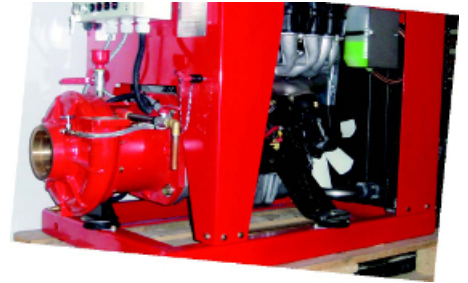
AMC-Mechanocauch&Reg; SD anti vibration mounts design provides excellent radial and axial flexibility making them most suitable for the suspension of machines where isolation of both vertical and horizontal vibration components occur. DSD mounts comprise of two flat metal parts. The top metal part is circular with either a tapped central boss or an internal welded nut for attaching the mount to the machine frame .The lower metal part has an oval shape with two holes to allow fixing to the support structure of the machine .

TECHNICAL CHARACTERISTICS

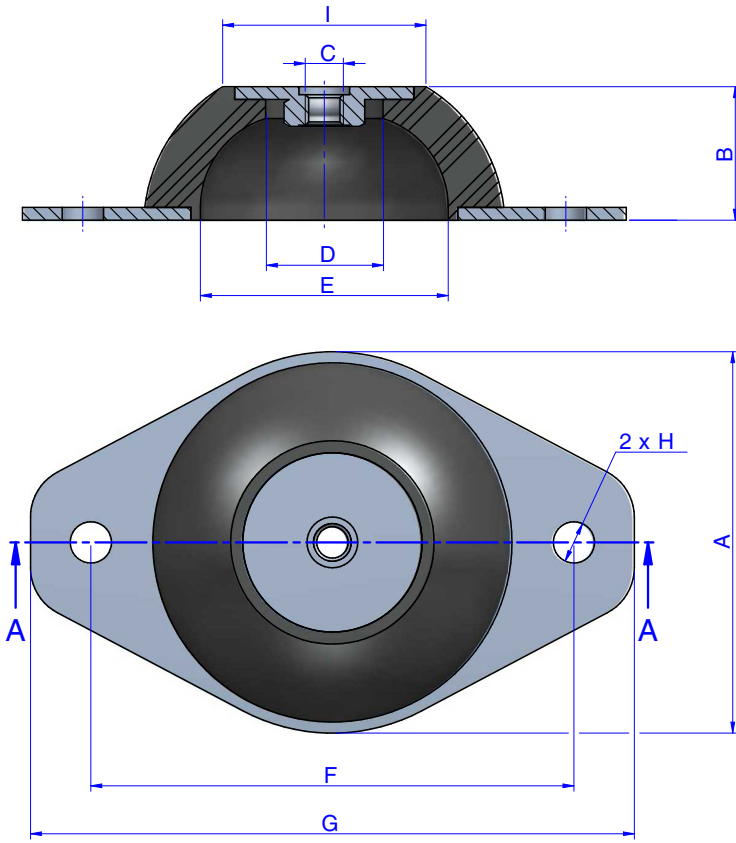
AMC-Mechanocaucho® DSD mountings have comparable stiffness rates vertically and horizontally making them very effective against random vibrations in either plane.

APPLICATIONS

DSD mountings are particularly suitable for applications with low to medium dynamic amplitudes which enables the mountings stiffness rates to provide effective isolation. Suitable for HVAC, Ventilators, rotating pumps, torque or frequency converters, electric motors or power units.



DRAWINGS

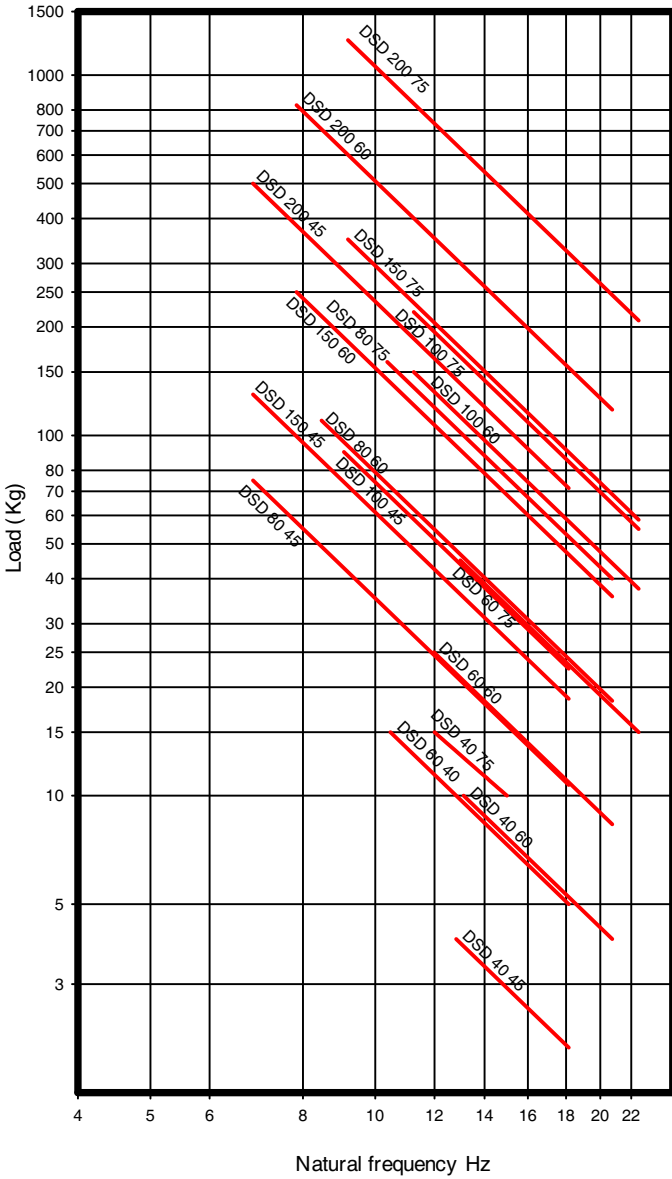


DIMENSIONS

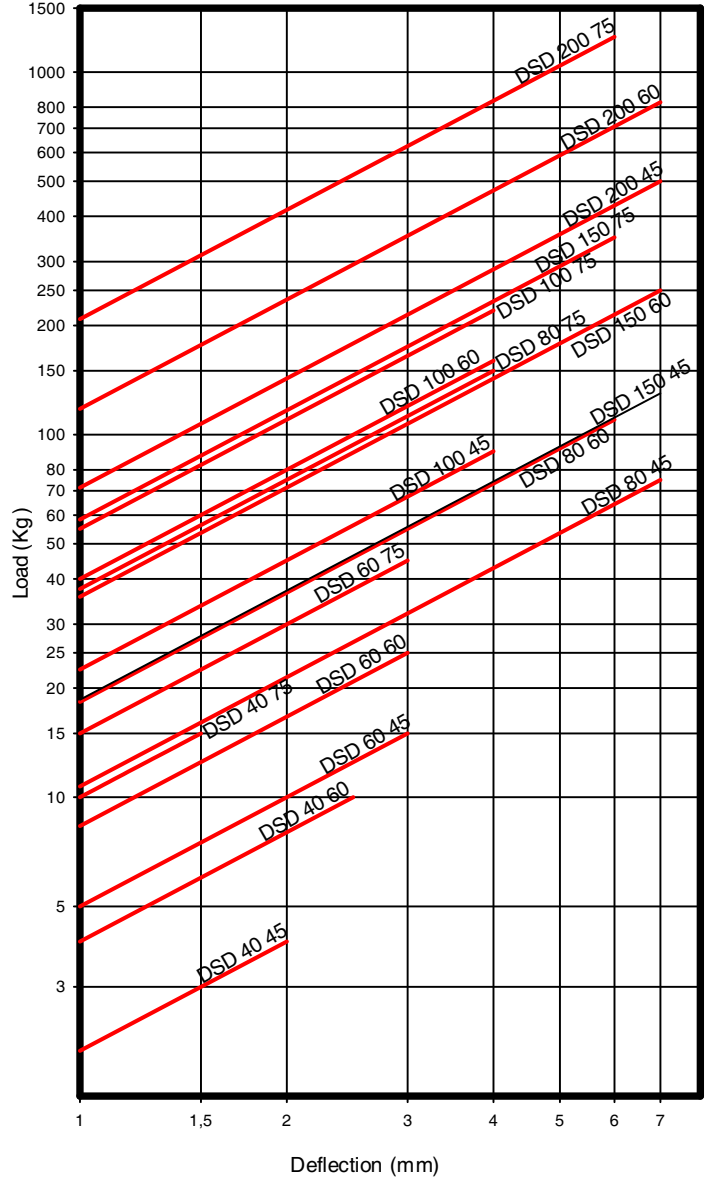
Type	A (mm)	B (mm)	C (mm)	D (mm)	E (mm)	F (mm)	G (mm)	H (mm)	I (mm)	Weight (gr.)	Load (kg)	Shore	Code
DSD 40	43	17	M-6	19	29	52	64	6,25	24,5	28	4	45 Sh	134001
											10	60 Sh	134002
											15	75 Sh	134003
DSD 60	60	21	M-6	14	39	76	95	6,5	32	73	15	45 Sh	134004
											25	60 Sh	134005
											45	75 Sh	134006
DSD 80	86	25	M-8	25	65	100	120	8,5	51	130	75	45 Sh	134007
											110	60 Sh	134008
											150	75 Sh	134009
DSD 100	100	25	M-10	22	67	124	149	10,5	54	262	90	45 Sh	134010
											160	60 Sh	134011
											220	75 Sh	134012
DSD 150	150	34	M-14	34	114	182	214	12	76	664	130	45 Sh	134013
											250	60 Sh	134014
											350	75 Sh	134015
DSD 200	200	40	M-18	35	140	240	280	15	128	1615	500	45 Sh	134016
											825	60 Sh	134017
											1250	75 Sh	134018

Elastical properties

NATURAL FREQUENCIES A MC
MECANOCAUCHO® Type DSD



LOAD DEFLECTION GRAPHS
MECANOCAUCHO® Type DSD



DSD ANTI VIBRATION MOUNTS

OPERATION AND ASSEMBLY



Both metal parts are fully bonded to the dome shaped circular rubber section during moulding. The rubber section works in compression when loaded. In the event of shock inputs or accidental overloads the mountings will deflect vertically and horizontally, absorbing the shock energy. It is highly recommended that the metal caps shown below are used on the assembly to produce progressive stiffening under dynamic load inputs . Attachment of the mounts to the support structure can either be by the use of Set Screws, Bolts or by adapting the support structure to have studs securely fixed to the floor as in the case of concrete slabs. For applications where high vibration isolation is needed , DRD mounts should be considered as the alternative.

ADVANTAGES



- Simple to install, they can be placed directly on the floor or ground due to the vertical flexibility of the rubber section without direct attachment . Effectiveness – with three standard compounds available, identified by the hardness stamped on the base, Soft: hardness A 45, Medium: hardness B 60, Hard: hardness C 75), enabling the user to choose the most suitable mount for the load to be supported and the vibration frequency. For extremely low vibration frequencies they can be mounted in series to provide additional vibration isolation. In certain cases it may be advisable to install an effective “Fail Safe” design to prevent over deflection. • Speed of placement of the mount and easy movement of the machine to the required spot. • Cost effective.