

Rubber Metal anti vibration mounts

ELASTOMERIC SPRINGS



The AMC-MECANOCAUCHO® type Elastomeric Spring anti vibration mounts are ideal for those applications where high vibration isolation is required. Its specific design allows this mount to have high deflection. This feature is particularly useful on those applications where vibration in the vertical sense is predominant.

TECHNICAL CHARACTERISTICS

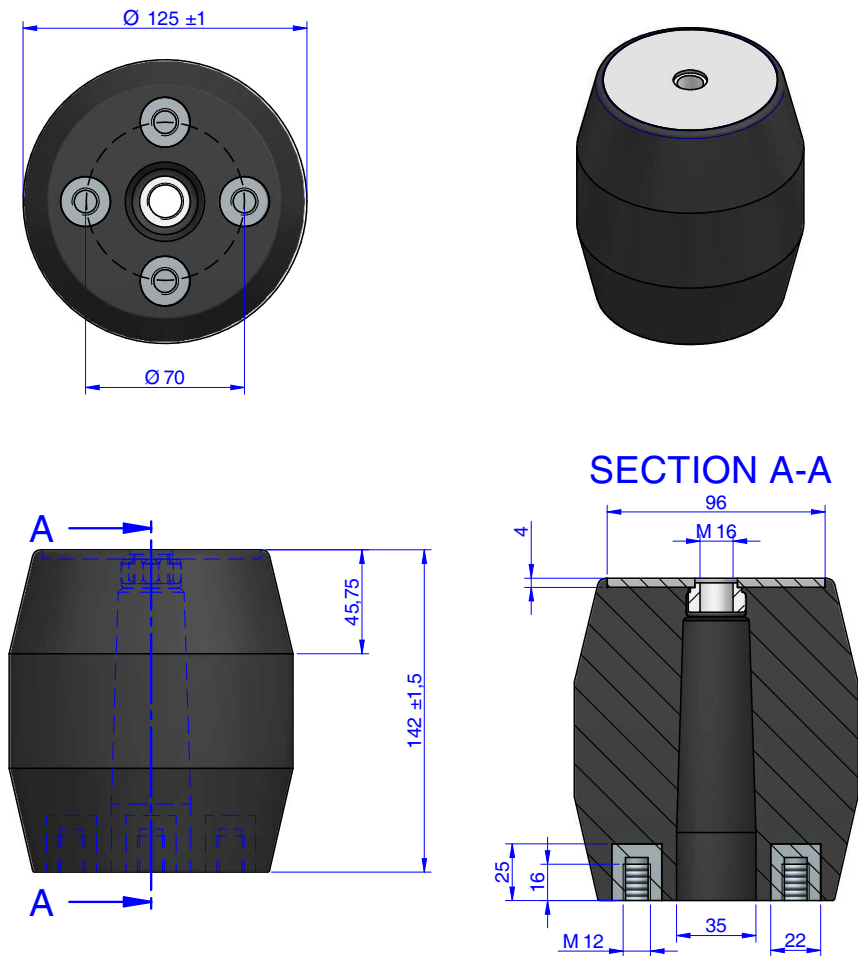
The damping properties of the rubber allow to provide a higher motion control of the suspended element. The optimal corrosion properties allow this mount to resist to aggressive corrosion environments.

APPLICATIONS

The AMC-MECANOCAUCHO® Elastomeric Spring anti vibration mounts are used in applications where a high degree of isolation is required and also motion control of the suspended element is required, such as : vibrating tables, vibration feeders or suspension of industrial vehicles.



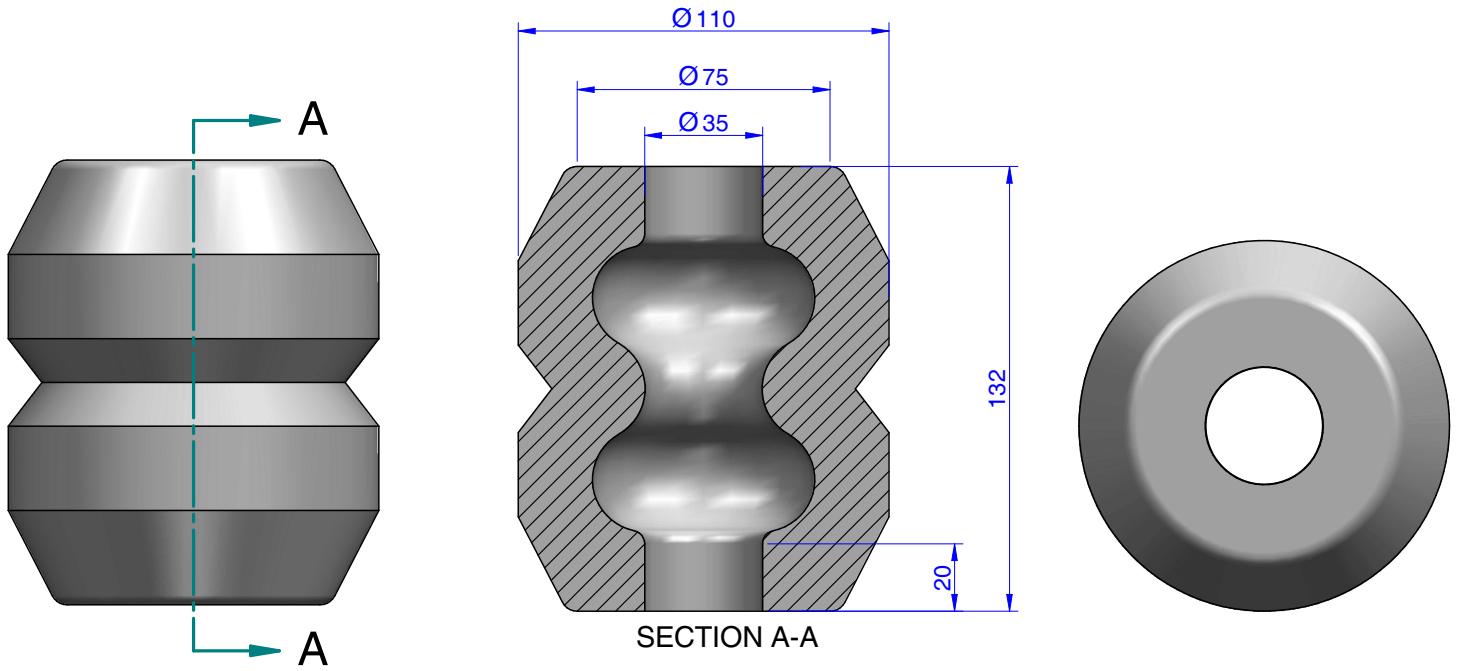
DRAWINGS



DIMENSIONS

Type	Weight (kg)	Shore	LOAD (kg MAX)	Max. Schock	Code
RSFF 125 142	1,953	55 Sh	1150 Kg	-	180251

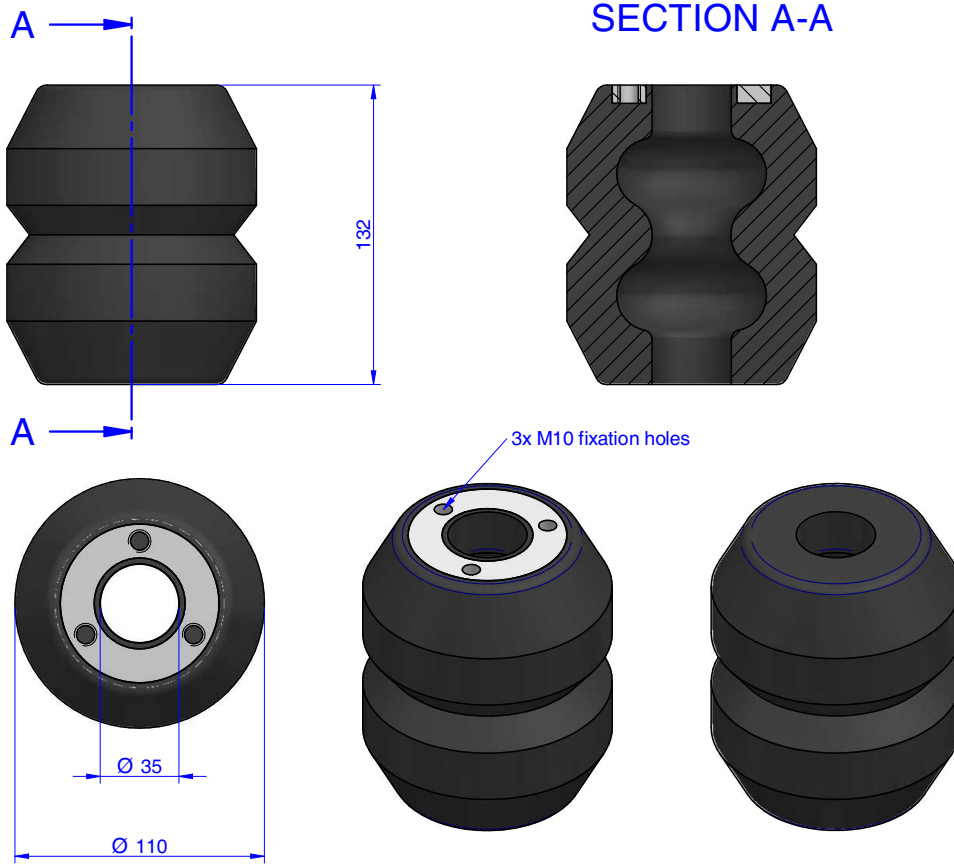
DRAWINGS



DIMENSIONS

Type	Weight (kg)	Shore	LOAD kg MAX	Max. Schock	Code
RS 110 132	0,939	60 Sh	450 Kg	1200 Kg	180185

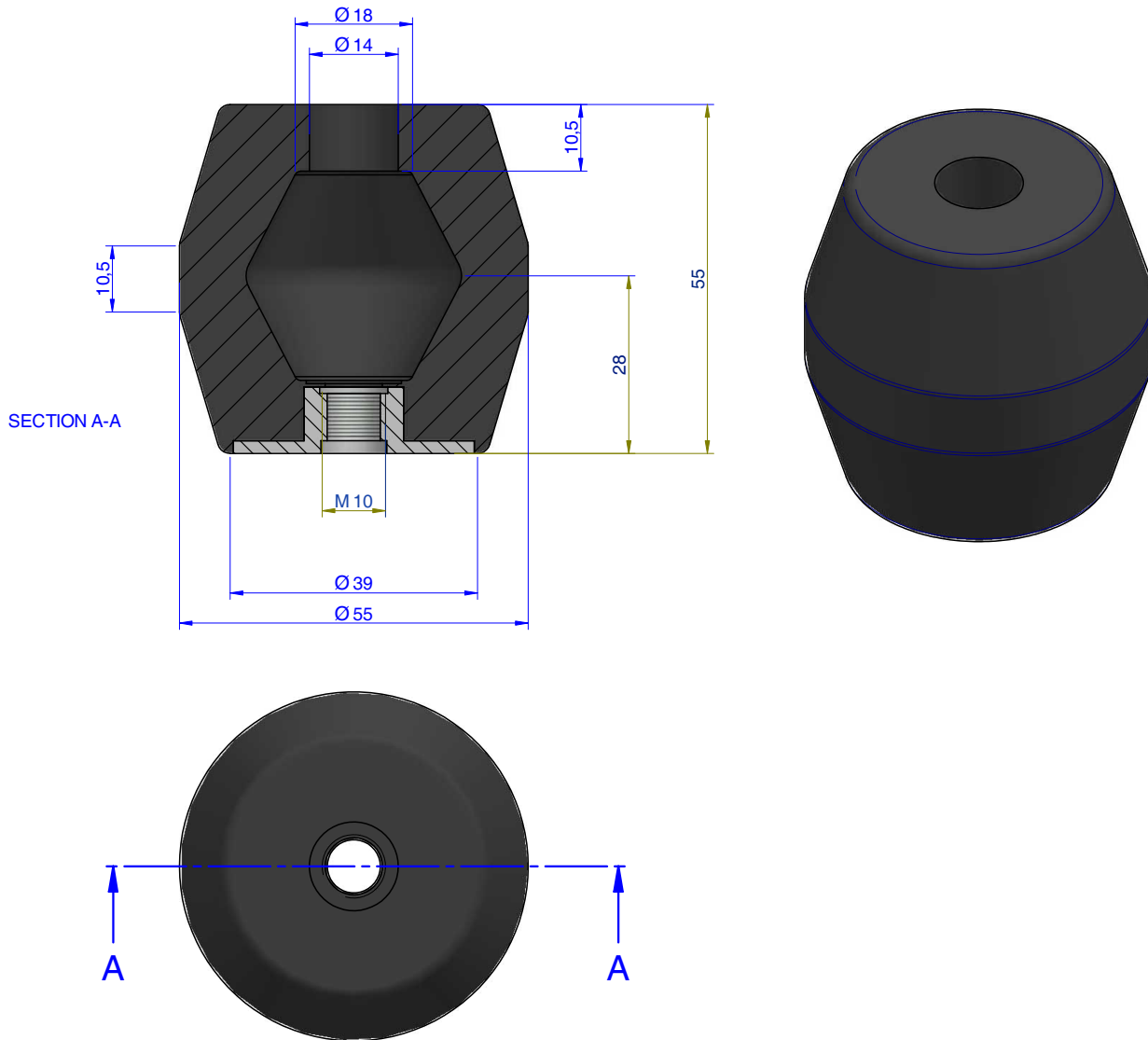
DRAWINGS



DIMENSIONS

Type	Weight (kg)	Shore	LOAD kg MAX	Max. Schock	Code
RSF 110 132	1,072	60 Sh	450 Kg	1200 Kg	180234

DRAWINGS



DIMENSIONS

Type	Weight (kg)	Shore	LOAD kg MAX	Max. Schock	Code
RSF 55 55	0,123	65 Sh	60 Kg	120 Kg	180177

Elastical properties

Load vs Deflection

