

Rubber Metal anti vibration mounts

MARINE ENGINE MOUNT TYPE XT



The AMC Mecanocaucho® MARINE XT Captive anti vibration mounts are anti vibration elements which work the rubber in both shear and compression. Their design has been tailored to provide a specific stiffness in each axis, a key benefit is providing a reduced roll natural frequency for engine installations.

The AMC Mecanocaucho® MARINE XT Captive mount is especially recommended for harsh applications where vibration isolation is a crucial factor, such as the isolation of rotating or mobile machines that are continuously subjected to shock forces. A high level of corrosion resistance is achieved which ensures protection from substances such as dripping oil/diesel and also in applications where there is exposure to the elements. Furthermore, thanks to their high stiffness in one of its directions, excellent results can be achieved for applications in which the thrust from the engine is high.

TECHNICAL CHARACTERISTICS

AMC-MECANOCAUCHO® Marine XT anti vibration mounts have a special design that provides 3 different stiffness values in the 3 different directions, the highest being the one in the longitudinal direction. This design allows the mounts to face high longitudinal loads (thrust loads produced by marine engines) while their low lateral and vertical stiffness values allow them to keep a high isolation level against the main excitations from the crankshaft of the engine (which occurs at the plane with the lowest stiffness values of the mount).

- The top metal hood protects the rubber from the Ozone, UV rays, diesel or oils which could damage the rubber.
- The metal parts have a suitable anticorrosive treatment for outdoor applications. RoHs compliant.
- They have an interlocking metal component that provides a fail-safe protection for mobile applications. This device limits vertical movement when the mounting is submitted to shock inputs.
- The mounts are clearly identified, the baseplates are engraved with the type and

APPLICATIONS

The Marine XT anti vibration mounts are designed for marine applications where it is important to control the thrust from the engine. Thanks to their high longitudinal stiffness they can withstand the high thrust loads with a limited deflection.



hardness making it possible to easily recognize the part even after several years of use.

- Maximum leveling: 3 mm. For further leveling, we recommend to use [shims](#).



AMC MECANOCAUCHO
Industrialdea Zona A - Pab. 35.
Asteasu E-20159, Gipuzkoa
Spain



Tel.: +34 943 69 61 02
Fax: +34 943 69 62 19



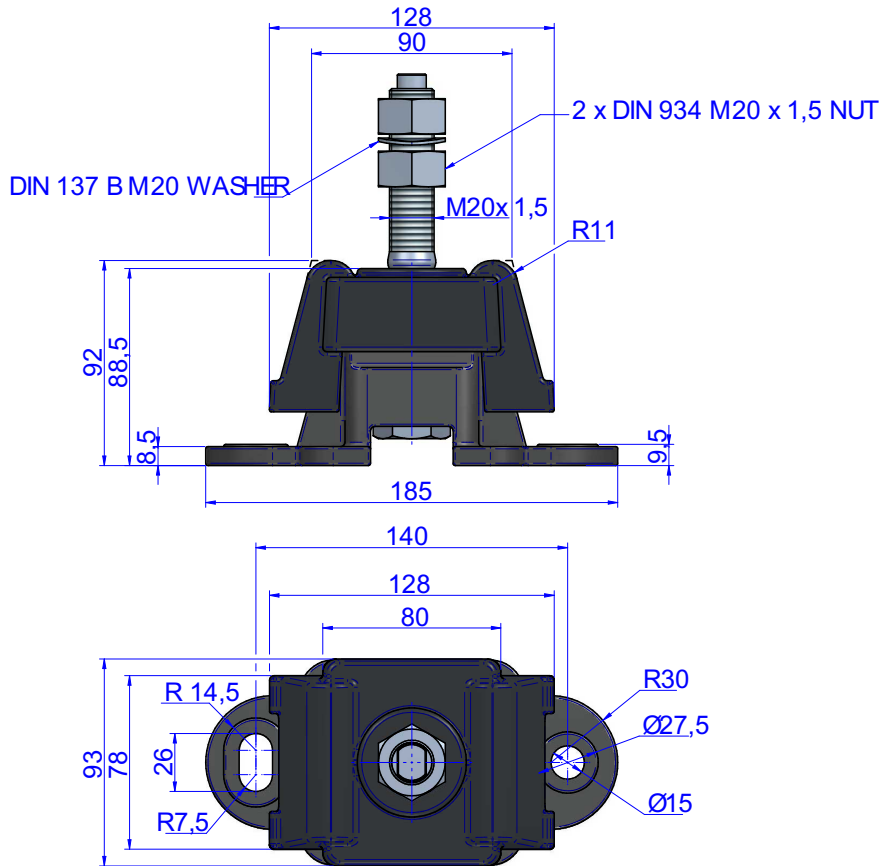
sales@amcsa.es



www.mecanocaucho.com
www.akustik.com

MARINE ENGINE MOUNT TYPE XT

DRAWINGS



DIMENSIONS

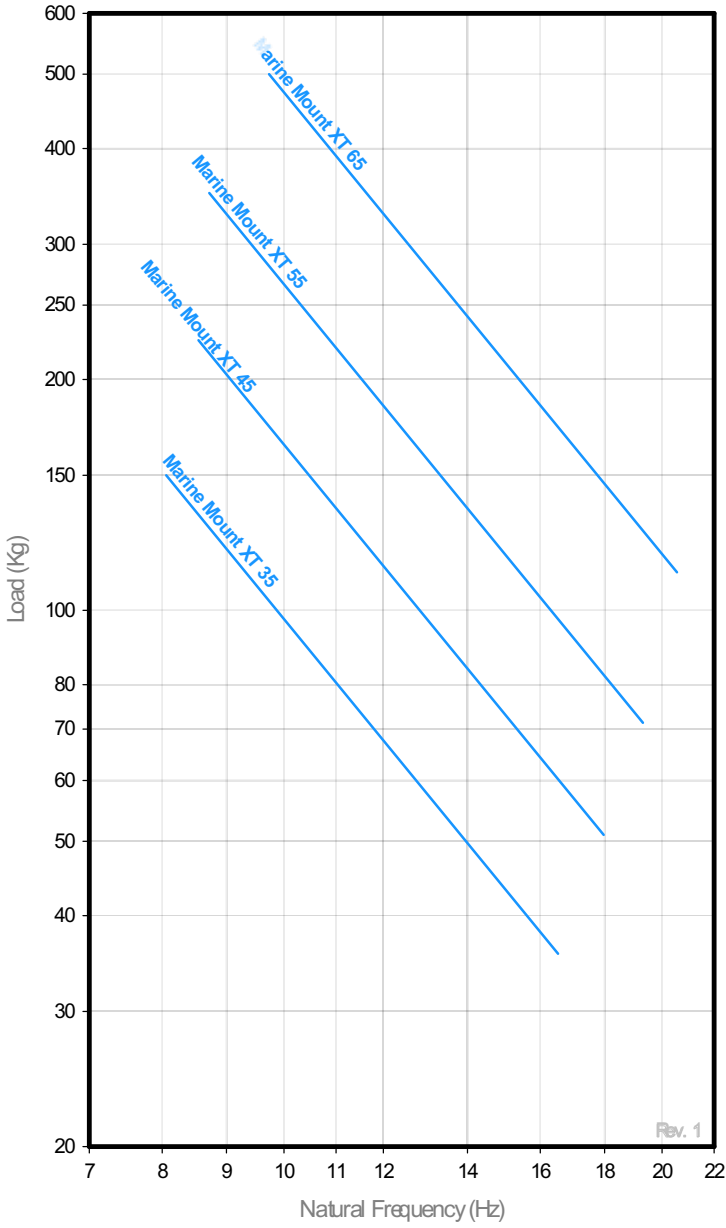
Type	Weight (g)	Shore	LOAD kg MAX	Code
MARINE MOUNT type XT	4659	35 Sh	150	136330
		45 Sh	225	136331
		55 Sh	350	136332
		65 Sh	500	136333

MARINE ENGINE MOUNT TYPE XT

Elastical properties

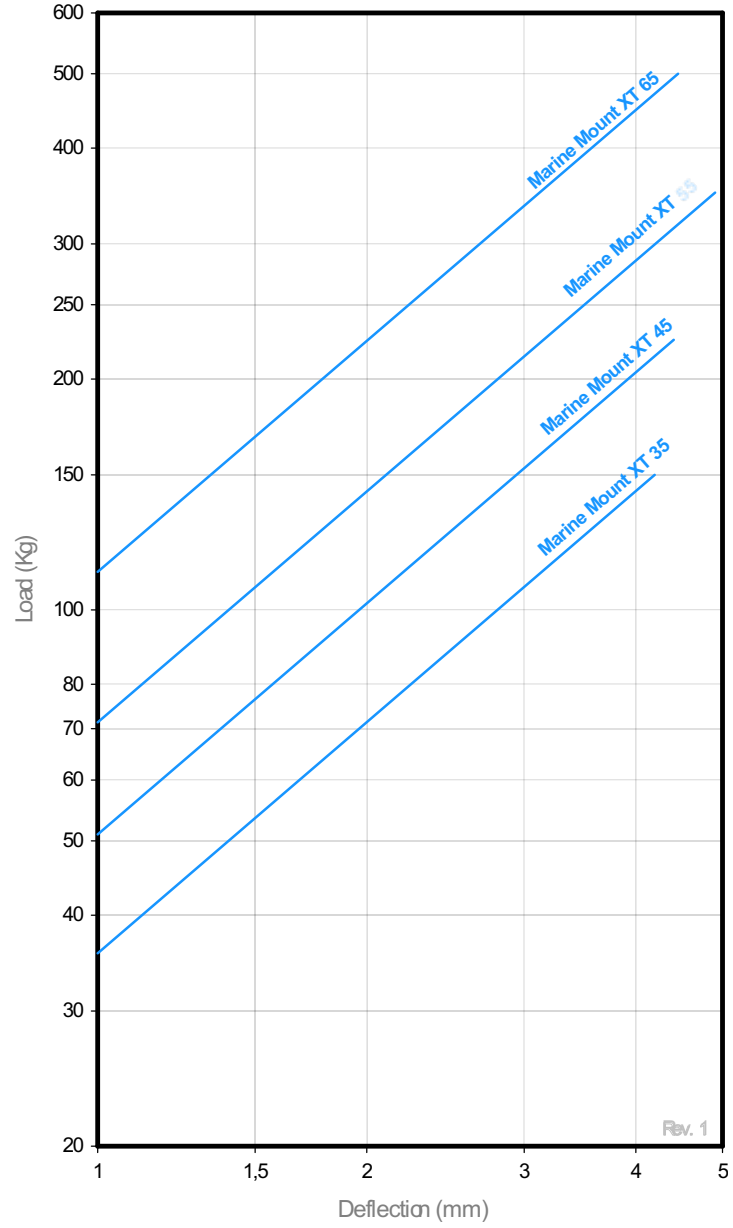
NATURAL FREQUENCY

AMC MECANOCAUCHO® MARIN MOUNT XT



LOAD DEFLECTION GRAPH

AMC MECANOCAUCHO® MARIN MOUNT XT



MARINE ENGINE MOUNT TYPE XT

ADVANTAGES



- The M20 stud is supplied with a 1,5 pitch fine thread to allow precise leveling. Compared to the traditional M12 studs used on similar sized marine mounts, the height adjuster of the Type XT Marine mount is more robust and designed for higher duty applications.