

Rubber Metal anti vibration mounts

SCBR ANTI VIBRATION MOUNTS



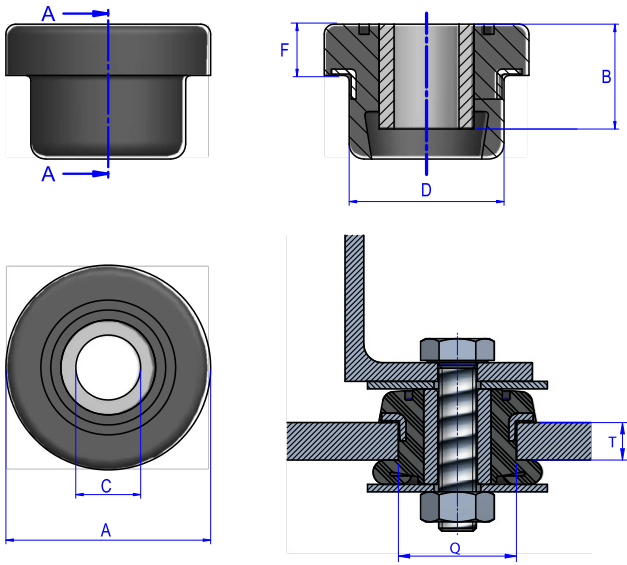
The SCBR elastic mounts are elements that work on the basis of compression since thanks to their design and assembly they provide an anti-rebound effect, thus permitting safety assemblies.

Moreover it contains a metallic part, that avoids a premature wear by friction between the rubber and the housing of the mount.



SCBR ANTI VIBRATION MOUNTS

DRAWINGS

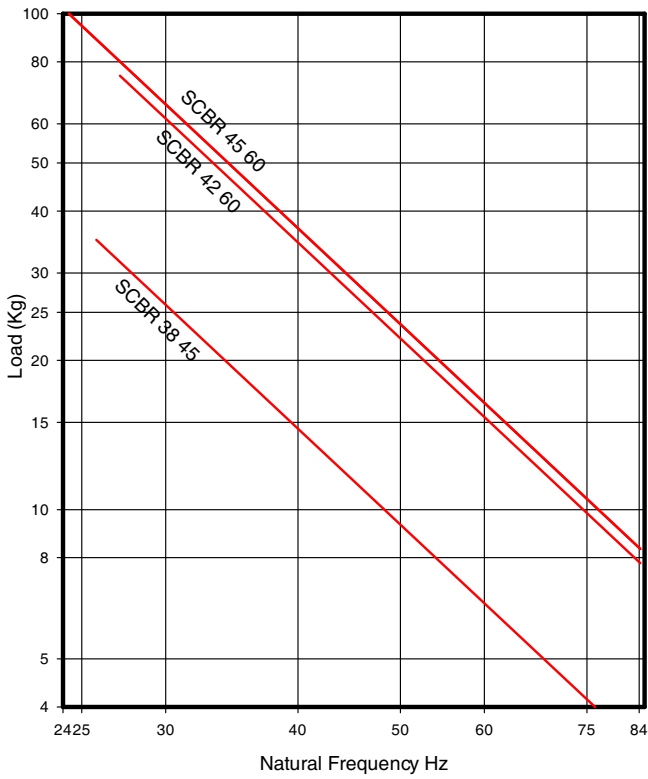


DIMENSIONS

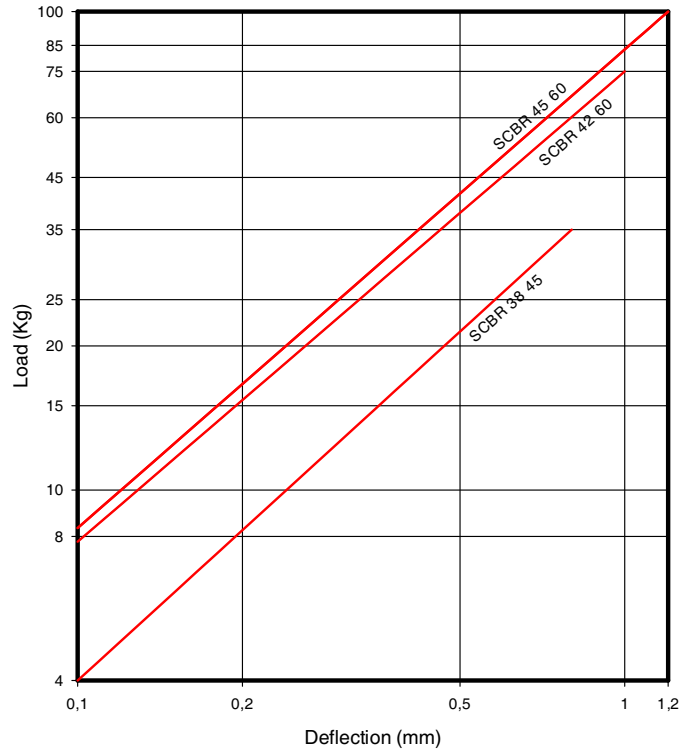
| Type | A (mm) | B (mm) | C (mm) | D (mm) | F (mm) | Q (mm) | T (Max.) | T (Min.) | Weight (gr.) | WASHER | Load (kg) | Shore | Code |
|---------|--------|--------|--------|--------|--------|--------|----------|----------|--------------|--------|-----------|-------|--------|
| SCBR 38 | 34 | 19 | 10,75 | 20,75 | 11 | 20,5 | 5 | 3 | 30 | 611065 | 35 | 45 Sh | 138045 |
| | | | | | | | | | | | 60 | 60 Sh | 138047 |
| SCBR 42 | 42 | 21,25 | 13 | 31,5 | 9,5 | 31,5 | 6 | 6 | 40 | 611080 | 75 | 60 Sh | 138051 |
| SCBR 45 | 42 | 25,5 | 10,5 | 31,5 | 10 | 31,5 | 11 | 10 | 56 | 611080 | 100 | 60 Sh | 138027 |

Elastical properties

AMC NATURAL FREQUENCY
MECANOCAUCHO® SCBR



AMC LOAD DEFLECTION CURVES
MECANOCAUCHO® SCBR



SCBR ANTI VIBRATION MOUNTS

OPERATION AND ASSEMBLY



Washers should be used, if the rubber surface is not covered with the contact surface.

ADVANTAGES



- Easy to assemble.
 - Simple and economical product.
 - Wide range of loads.
- The inside stop effect makes them very recommendable for safety purposes.



AMC MECANOCAUCHO
Industrialdea Zona A - Pab. 35.
Asteasu E-20159, Gipuzkoa
Spain



Tel.: +34 943 69 61 02
Fax: +34 943 69 62 19



sales@amcsa.es



www.mecanocaucho.com
www.akustik.com