

Rubber Metal anti vibration mounts

# SCHR ANTI VIBRATION MOUNTS



The AMC-Mecanocaucho® SCHR type mounts are made of two parts of rubber, one of which bears an inside metal bushing which acts as a guide through the machine anchoring screw. It is installed pre-compressed on the actual machine frame, whose thickness "T" determines the degree of precompression.

Moreover it contains a metallic part, that avoids a premature wear by friction between the rubber and the housing of the mount.

## TECHNICAL CHARACTERISTICS

This antivibration mount is ideal for applications of major dynamic loads where movement control is necessary, such as in the cabins of all types of mobile vehicles. It also offers optimal stability, as well as good attenuation of impacts and vibrations.

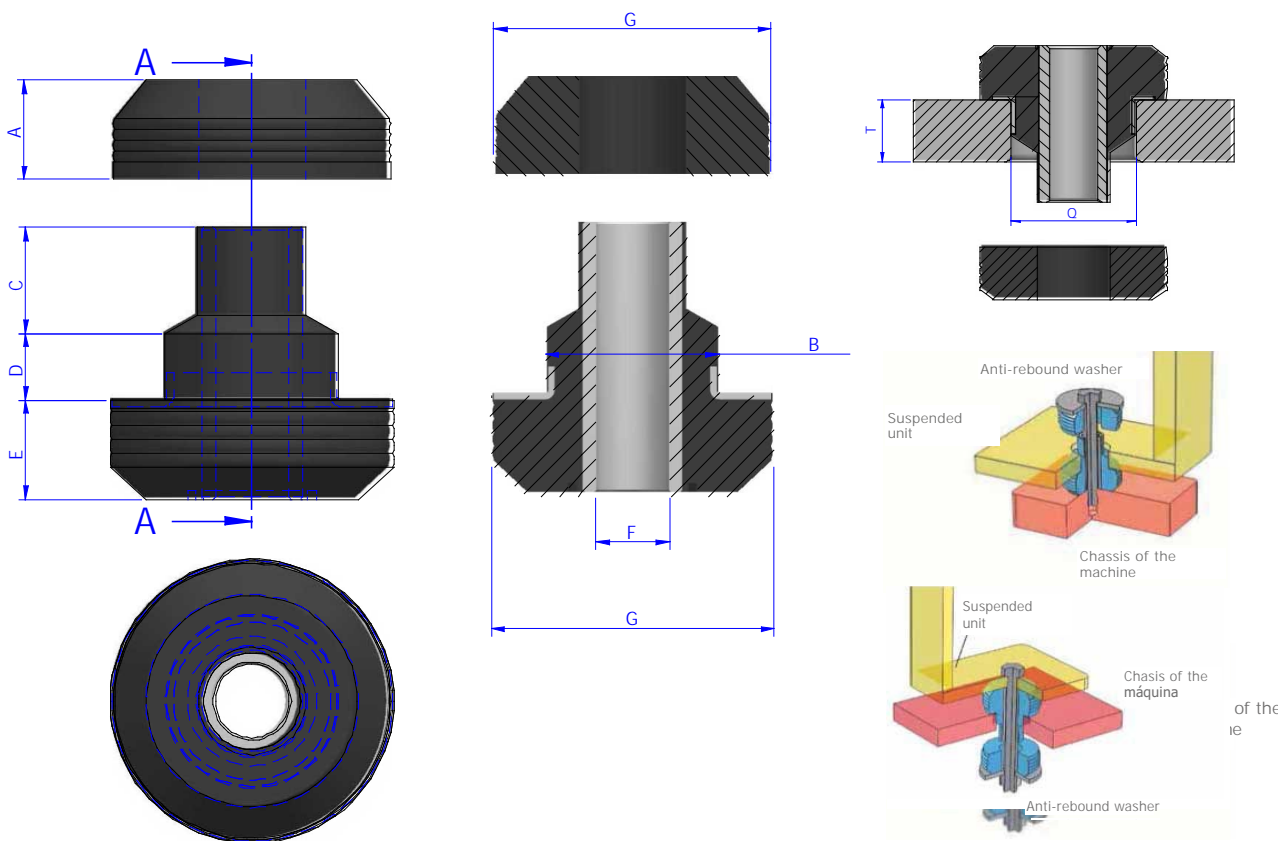
## APPLICATIONS

- Vehicle cabins
- Public works and agricultural vehicles, etc.



# SCHR ANTI VIBRATION MOUNTS

## DRAWINGS



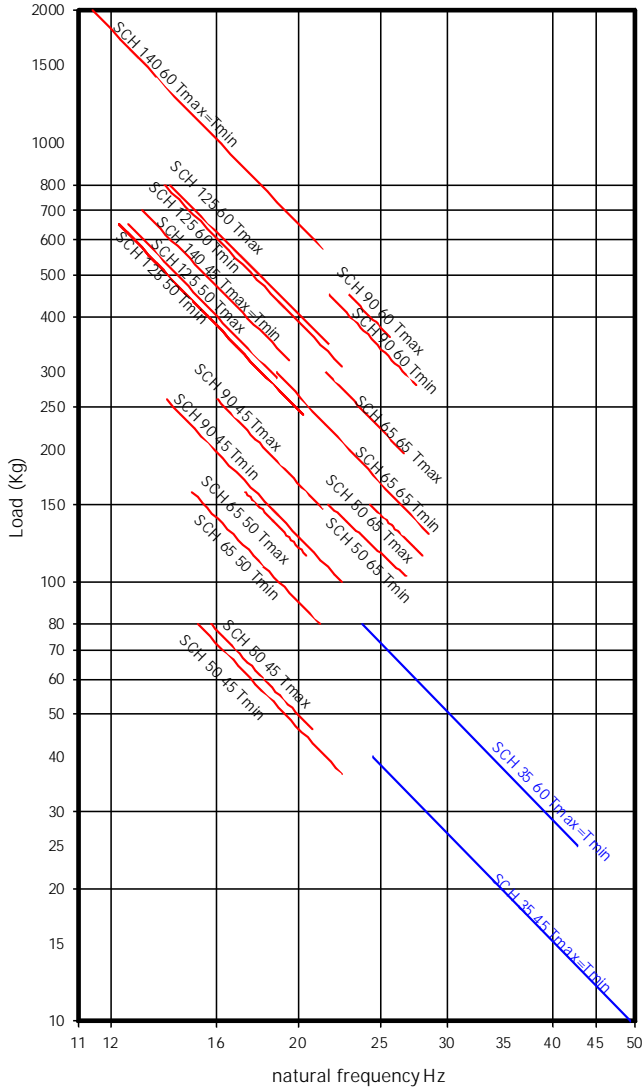
## DIMENSIONS

Type	A (mm)	B (mm)	C (mm)	D (mm)	E (mm)	F (mm)	G (mm)	Q (mm)	T (Max.)	T (Min.)	Weight (gr.)	Color Code	Shore	Max. Load (kg)	Code
SCHR 35	11	20,1	11	4	11	8	34,5	20,4	6	6	42	Yellow	45 Sh	40	138621
												Green	60 Sh	80	138623
SCHR 50	20	31,7	19,5	10,5	20	13,5	49	31,8	14	12,5	153	Yellow	45 Sh	80	138535
												white	65 Sh	150	138534
SCHR 65	23	39,5	24	15	23	16,75	64,5	40	22	19	269	Red	50 Sh	160	138551
												white	65 Sh	300	138552
SCHR 90	25	56,5	31	17	25	23	88	57	29	25	675	Yellow	45 Sh	260	138547
												Green	60 Sh	450	138548
SCHR 125	32	65,4	32	22	32	27	125,5	65,8	32	25	1440	Red	50 Sh	650	138216
												Green	60 Sh	800	138217
SCHR 140	35	70	31	13	35	31	140	71	20	20	1900	Yellow	45 Sh	700	138508
												Green	60 Sh	2000	138510

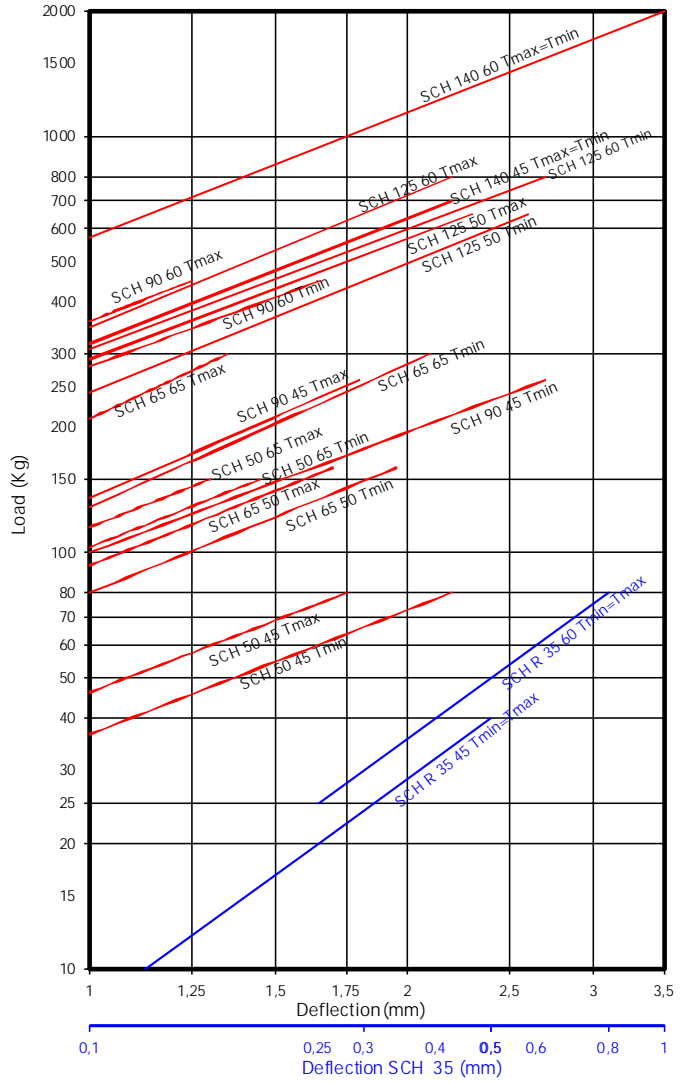
# SCHR ANTI VIBRATION MOUNTS

## Elastical properties

NATURAL FREQUENCY  
MECANOC AUCHO® Type SCH R



LOAD DEFLECTION  
MECANOC AUCHO® typeSCH R



## SCHR ANTI VIBRATION MOUNTS

### OPERATION AND ASSEMBLY



The SCHR mounts should be assembled according to the following installation instructions. There are two possible configurations, see previous assembly picture. They can be installed in plates of different thicknesses according to the  $T_{mx}$  and  $T_{min}$  values given in the Table provided . The load vs deformation curves will vary according to the plate thickness in which the mount will be installed.

Washers should be used, if the rubber surface is not covered with the contact surface.