

TF ANTI VIBRATION MOUNTS



The AMC-Mecanocaucho® TF type anti vibration mounts are made of two moulded parts . One of circular fully moulded rubber, and one circular part which is fully bonded to a centre tube which acts as a guide for the machine anchoring bolt. They are installed pre-compressed on the actual machine frame, whose thickness "E" determines the degree of pre-compression of the assembly.

TECHNICAL CHARACTERISTICS

This antivibration mount is ideal for applications with major dynamic loadings such as : Off Road Construction vehicles for engines , gearboxes , Operator Cabins where movement control is necessary. It also offers optimal stability, as well as good attenuation of impacts and high frequency vibrations.

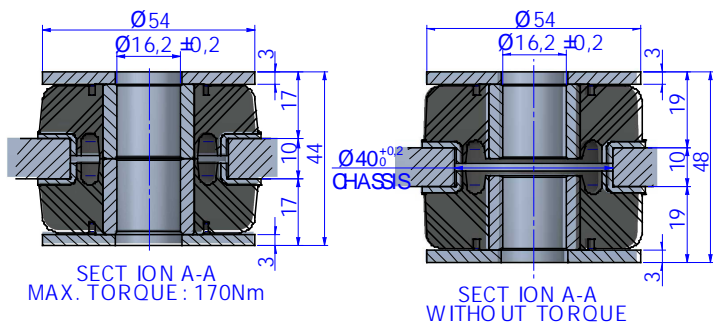
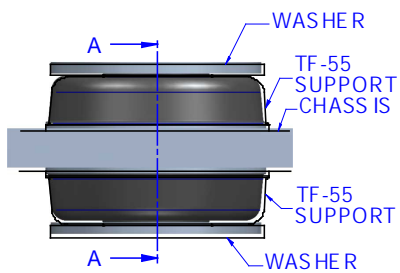
APPLICATIONS

- Vehicle cabins
- Public works and agricultural vehicles, etc.



TF ANTI VIBRATION MOUNTS

DRAWINGS

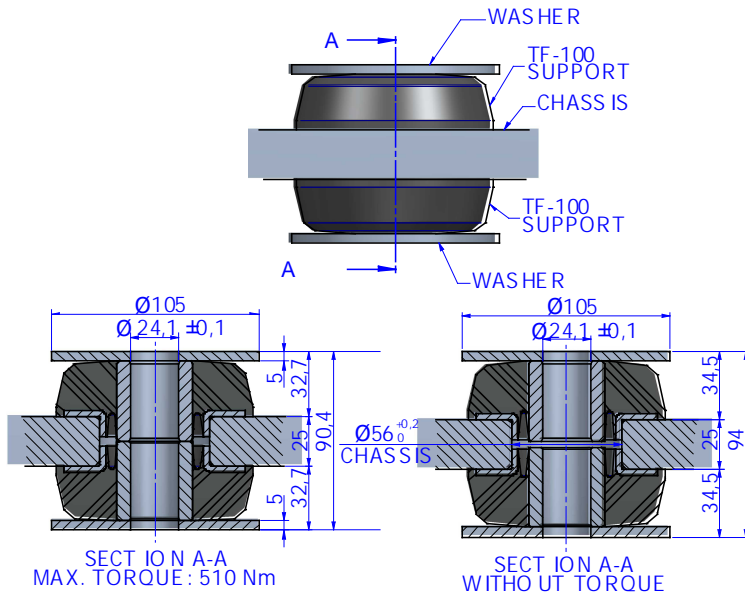


DIMENSIONS

Type	Weight (gr.)	WASHER	BOLT SIZE (Metric)	BOLT SIZE (Imperial)	Color Code	Shore	Max. Load (kg)	Code
TF 55	82	611056	M16	5/8"	Yellow	45 Sh	80	138061
					Green	60 Sh	175	138063

TF ANTI VIBRATION MOUNTS

DRAWINGS

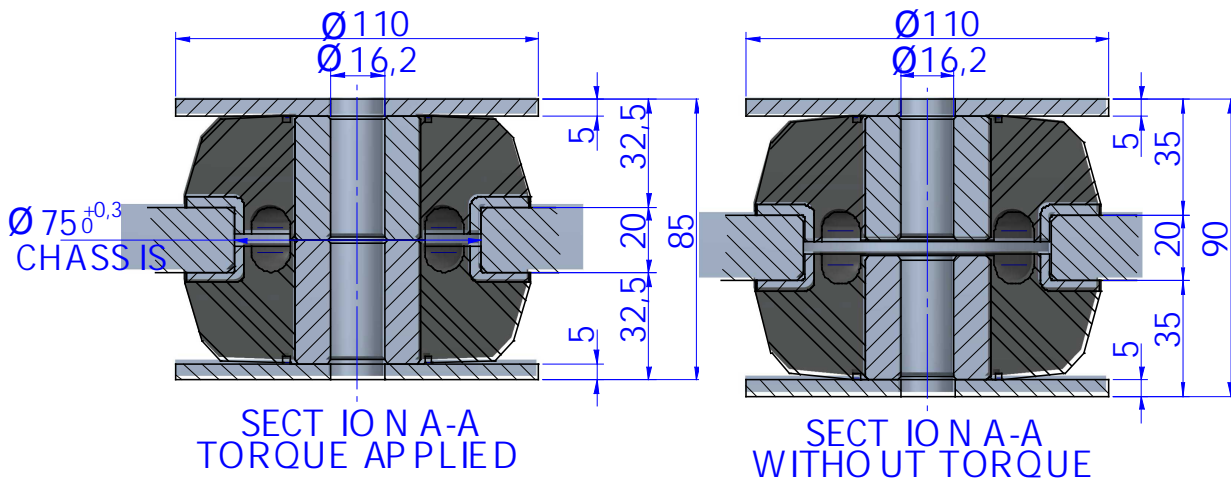
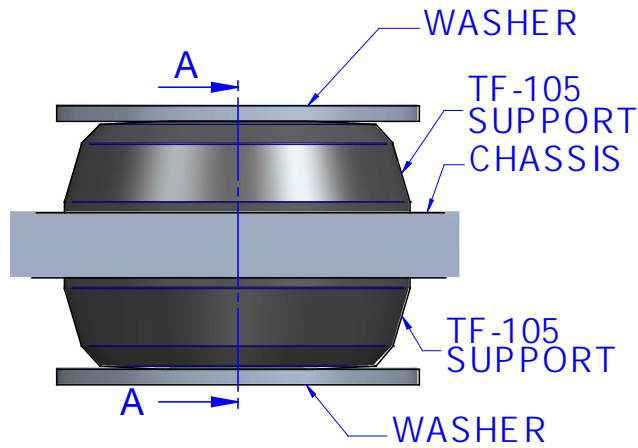


DIMENSIONS

Type	Weight (gr.)	WASHER	BOLT SIZE (Metric)	BOLT SIZE (Imperial)	Color Code	Shore	Max. Load (kg)	Code
TF 100	500	606484	M24	7/8"	Pink	40 Sh	190	137365
					Red	50 Sh	280	137366
					Green	60 Sh	390	137363
					Blue	70 Sh	800	137364

TF ANTI VIBRATION MOUNTS

DRAWINGS

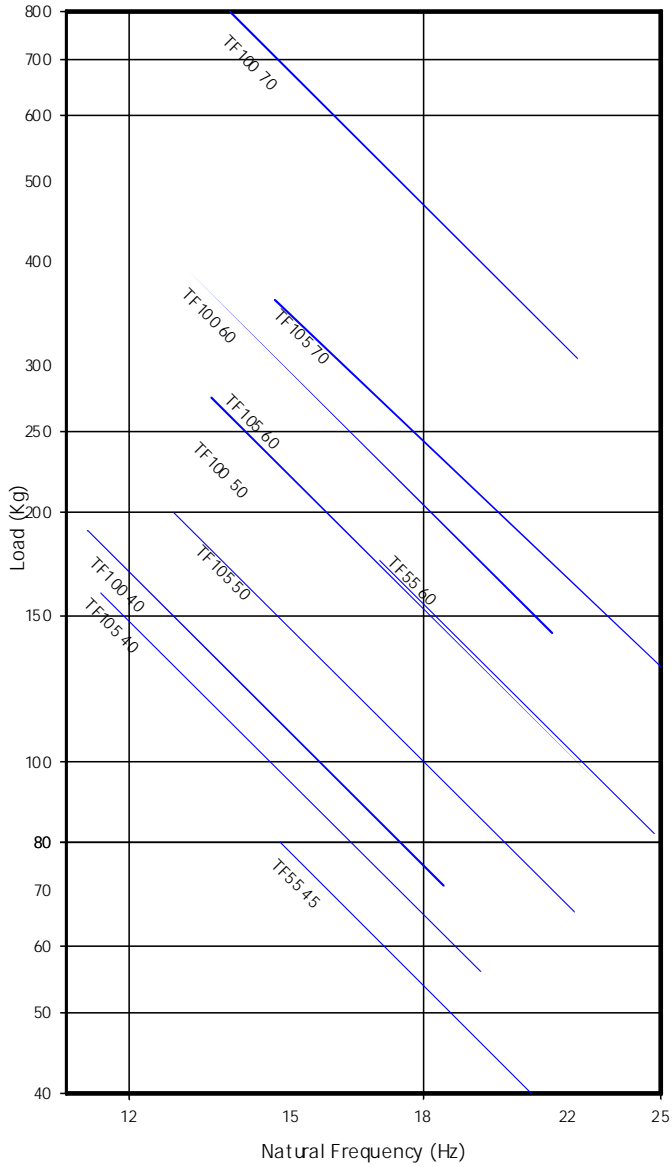


DIMENSIONS

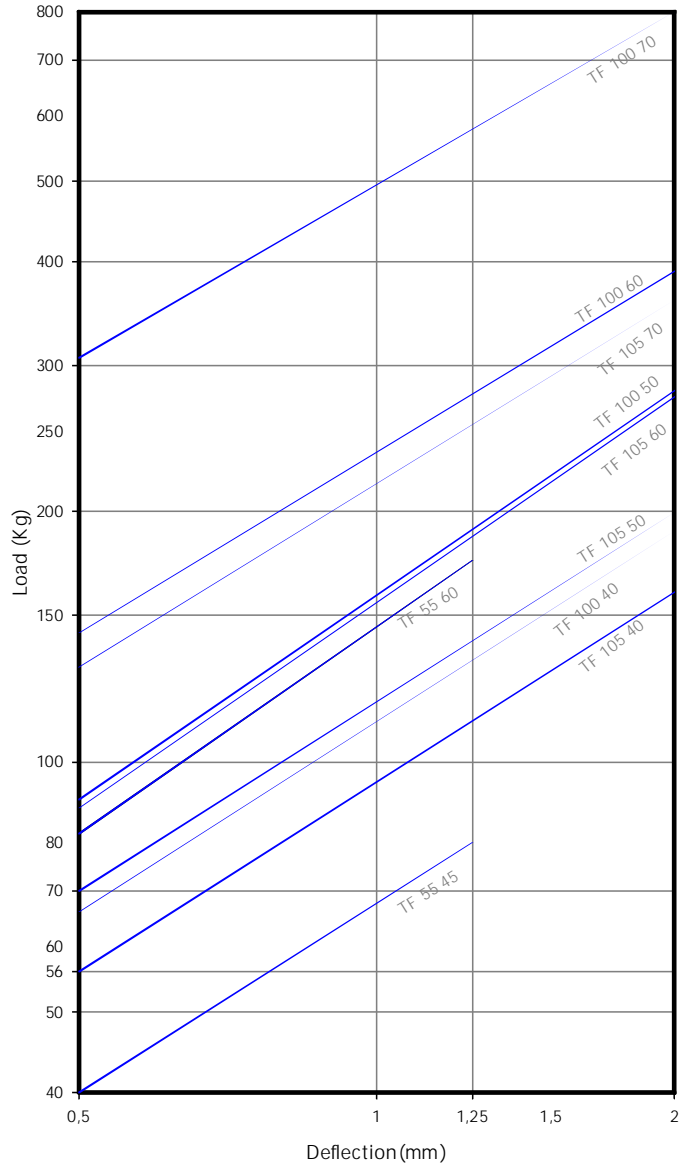
Type	Weight (gr.)	WASHER	BOLT SIZE (Metric)	BOLT SIZE (Imperial)	Color Code	Shore	Max. Load (kg)	Code
TF 105	580	606481	M16	5/8"	Pink	40 Sh	160	137381
					Red	50 Sh	200	137382
					Green	60 Sh	275	137383
					Blue	70 Sh	360	137384

Elastical properties

AMC NATURAL FREQUENCIES
MECANOCAUCHO ® TF Type



AMC LOAD DEFLECTION GRAPH S
MECANOCAUCHO® TF Type



TF ANTI VIBRATION MOUNTS

OPERATION AND ASSEMBLY



The TF mounts should be assembled according to the following installation instructions. There are two possible configurations, see assembly 1 and assembly 2, for which the recommendations given in the following chart must be observed. They can be installed in plates of different thicknesses according to the T_{mx} and T_{min} values given in the Table provided . The load vs deformation curves will vary according to the plate thickness in which the mount will be installed.

Washers should be used, if the rubber surface is not covered with the contact surface.