



## Vibrabsorber **2 AMC**



Spring mount is necessary in all machinery, which, by virtue of its design, has reciprocating or rotating parts, creates vibration to some degree through the imbalance of the moving parts.

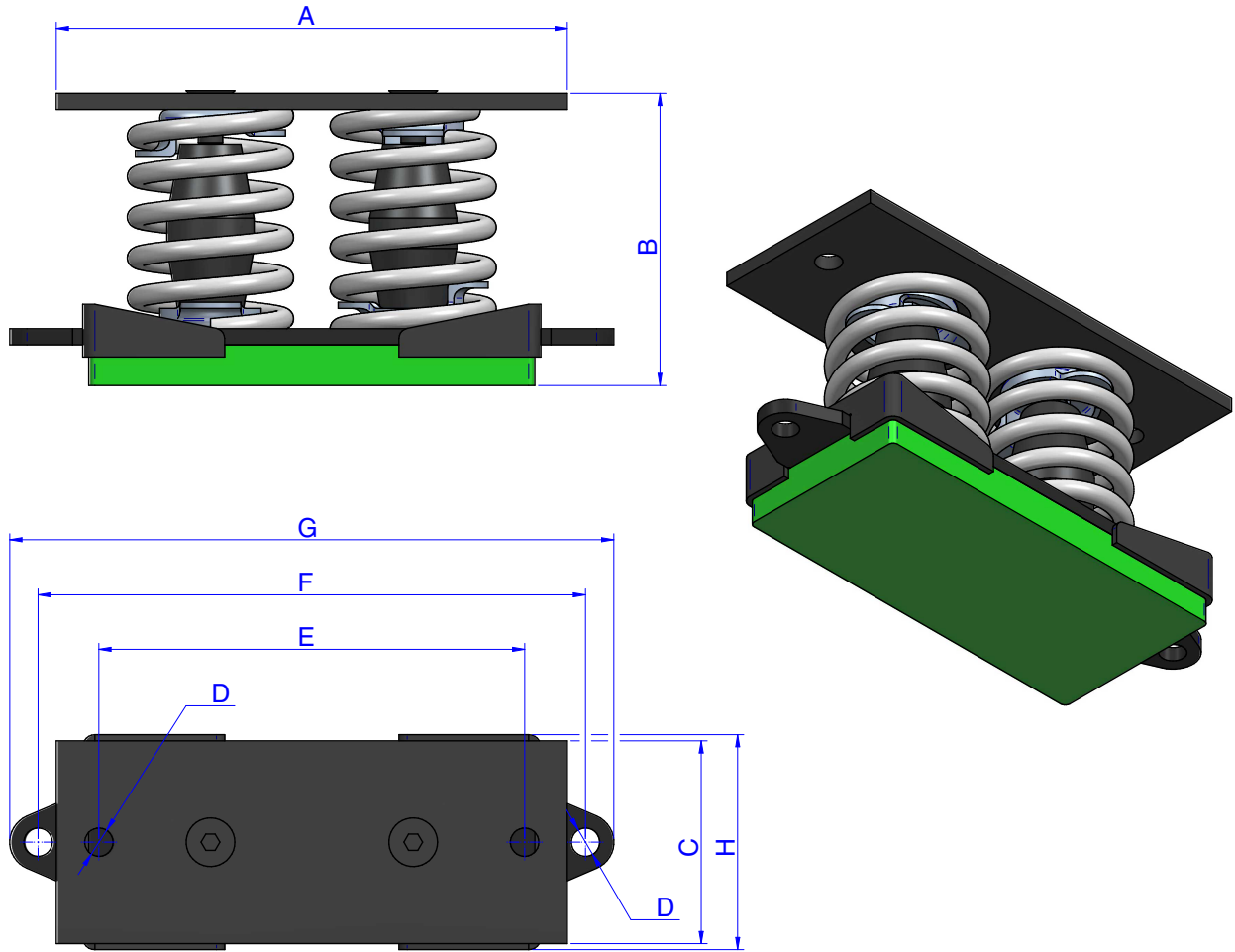
This vibration produced by a machine leads to different problems, such as a reduction in the machine's useful life through part wear, plus the transmission of this vibration to other non-insulated adjacent structures, giving rise to problems of noise and vibration transmission. It is therefore important to install a spring mount to machinery.





# Vibrabsorber 2 AMC

## DRAWINGS



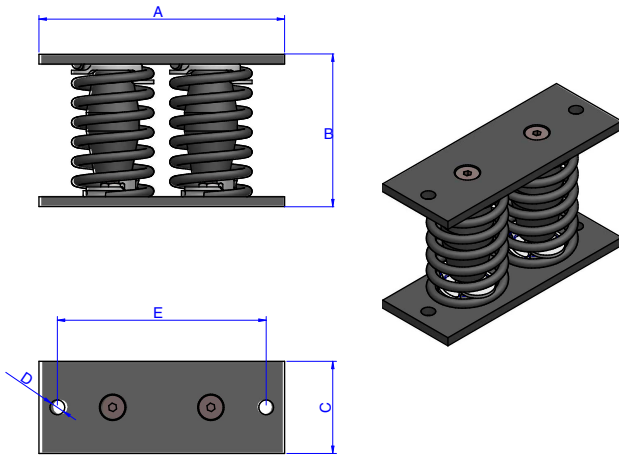
## DIMENSIONS

Type	A (mm.)	B (mm.)	Spring color	C (mm.)	D (mm.)	E (mm.)	F (mm.)	G (mm.)	H (mm.)	Max. Load (kg.)	Weight (kg.)	Code
2 AMC 300+Sylomer®	200	136	BLUE	75	12	170	220	244	81	300	3,1	20471
2 AMC 400+Sylomer®	200	136	WHITE	75	12	170	220	244	81	400	3,172	20472
2 AMC 500+Sylomer®	200	136	BLACK	75	12	170	220	244	81	500	3,348	20473
2 AMC 700+Sylomer®	200	136	CREAM	75	12	170	220	244	81	700	3,7	20474
2 AMC 1000+Sylomer®	250	136	LIGHT GREY	100	14	210	270	298	106	1000	5,9	20475
2 AMC 1500+Sylomer®	250	136	GREEN	100	14	210	270	298	106	1500	6,844	20476



# Vibrabsorber 2 AMC

## DRAWINGS



## DIMENSIONS

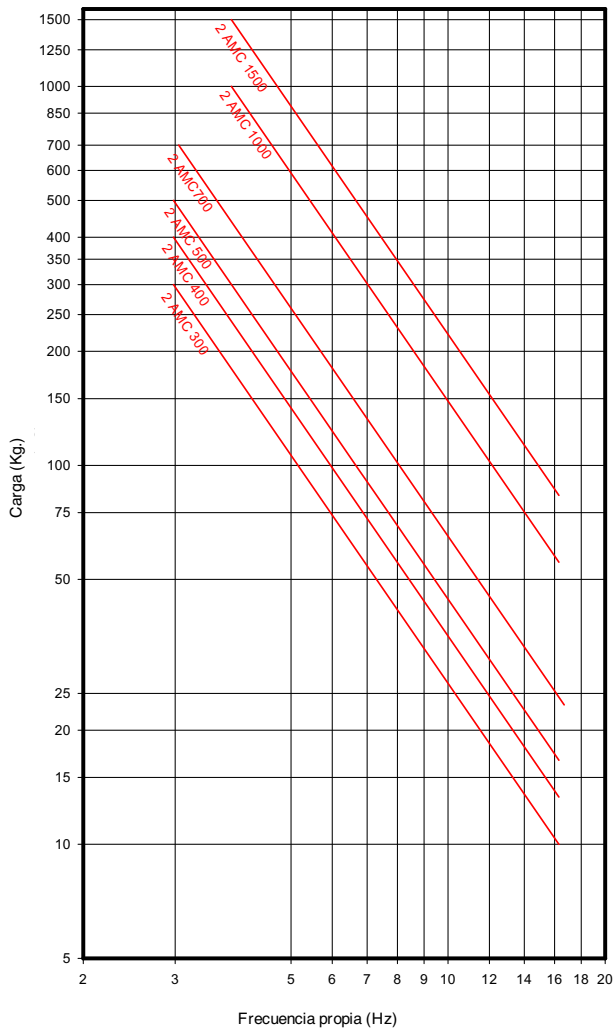
Type	A (mm.)	B (mm.)	Spring color	C (mm.)	D (mm.)	E (mm.)	Max. Load (kg.)	Weight (kg.)	Code
2 AMC 300	200	124	BLUE	75	12	170	300	3,1	20401
2 AMC 400	200	124	WHITE	75	12	170	400	3,172	20411
2 AMC 500	200	124	BLACK	75	12	170	500	3,348	20421
2 AMC 700	200	124	CREAM	75	12	170	700	3,7	20431
2 AMC 1.000	250	124	LIGHT GREY	100	14	210	1000	5,9	20441
2 AMC 1.500	250	124	GREEN	100	14	210	1500	6,844	20451



# Vibrabsorber 2 AMC

## ELASTICAL PROPERTIES

AMC FRECUENCIAS PROPIAS  
MECANOCAUCHO® Tipo 2 AMC



AMC CARGA DEFORMACION  
MECANOCAUCHO® Tipo 2 AMC

