



Vibrabsorber 9 AMC



Spring mount is necessary in all machinery, which, by virtue of its design, has reciprocating or rotating parts, creates vibration to some degree through the imbalance of the moving parts.

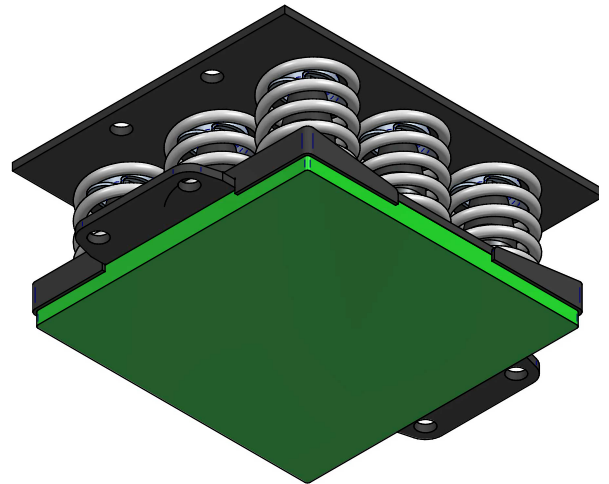
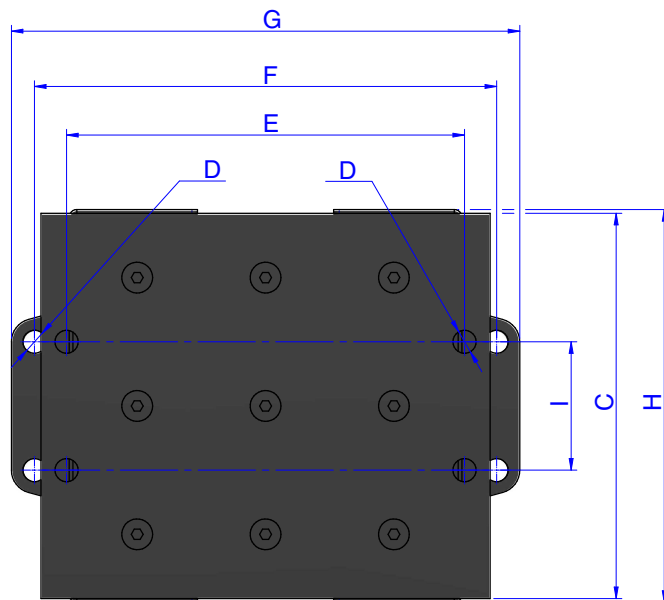
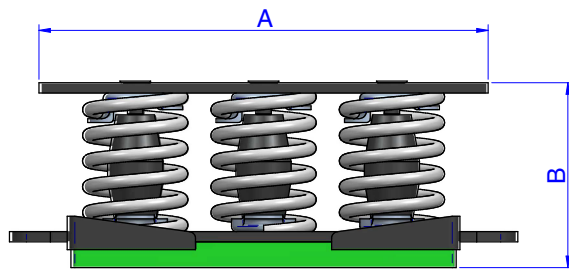
This vibration produced by a machine leads to different problems, such as a reduction in the machine's useful life through part wear, plus the transmission of this vibration to other non-insulated adjacent structures, giving rise to problems of noise and vibration transmission. It is therefore important to install a spring mount to machinery.





Vibrabsorber 9 AMC

DRAWINGS



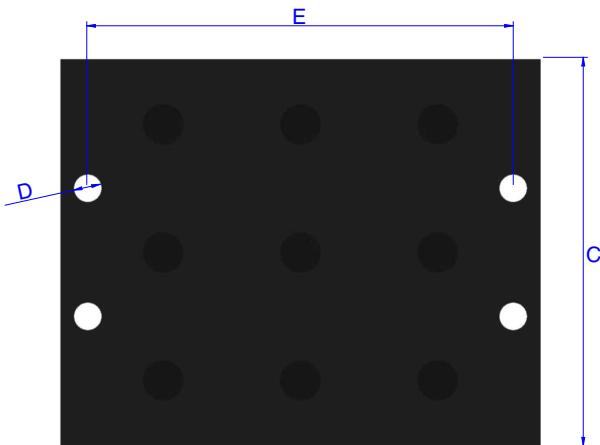
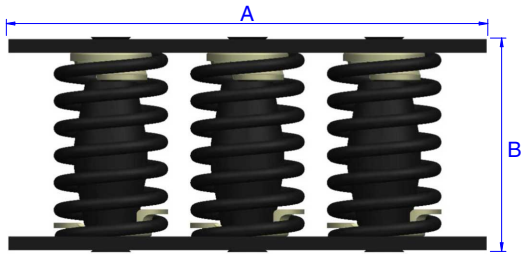
DIMENSIONS

Type	A (mm.)	B (mm.)	Spring color	C (mm.)	D (mm.)	E (mm.)	F (mm.)	G (mm.)	H (mm.)	I (mm.)	Max. Load (kg.)	Weight (kg.)	Code
9 AMC 1350+Sylomer®	280	136	BLUE	226	16	248	290	322	232	75	1350	13,702	20971
9 AMC 1800+Sylomer®	280	136	WHITE	226	16	248	290	322	232	75	1800	14,044	20972
9 AMC 2250+Sylomer®	280	136	BLACK	226	16	248	290	322	232	75	2250	14,836	20973
9 AMC 3150+Sylomer®	280	136	CREAM	226	16	248	290	322	232	75	3150	16,465	20974
9 AMC 4500+Sylomer®	350	136	LIGHT GREY	300	18	310	360	396	306	100	4500	27,547	20975
9 AMC 6750+Sylomer®	350	136	GREEN	300	18	310	360	396	306	100	6750	31,75	20976



Vibrabsorber 9 AMC

DRAWINGS



DIMENSIONS

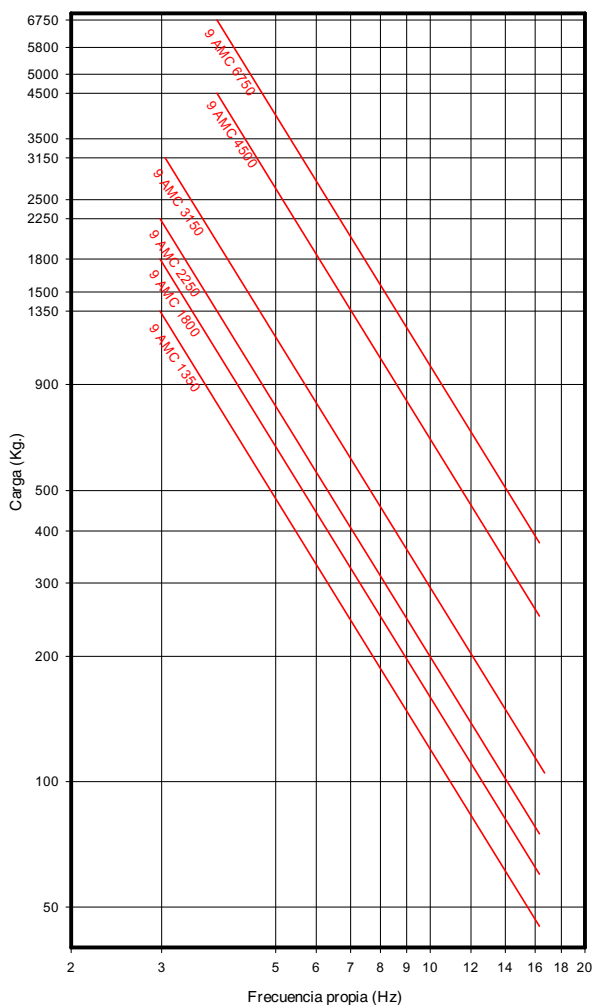
Type	A (mm.)	B (mm.)	Spring color	C (mm.)	D (mm.)	E (mm.)	Max. Load (kg.)	Weight (kg.)	Code
9 AMC 1.350	280	124	BLUE	226	16	248	1350	13,702	20901
9 AMC 1.800	280	124	WHITE	226	16	248	1800	14,044	20911
9 AMC 2.250	280	124	BLACK	226	16	248	2250	14,836	20921
9 AMC 3.150	280	124	CREAM	226	16	248	3150	16,465	20931
9 AMC 4.500	350	124	LIGHT GREY	300	18	310	4500	27,547	20941
9 AMC 6.750	350	124	GREEN	300	18	310	6750	31,75	20951



Vibrabsorber 9 AMC

ELASTICAL PROPERTIES

AMC FRECUENCIAS PROPIAS
MECANOCAUCHO® Tipo 9 AMC



AMC CARGA DEFORMACION
MECANOCAUCHO® Tipo 9 AMC

